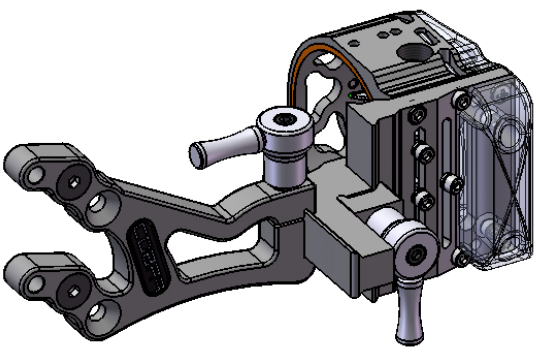


ITEM NO.	PART NUMBER	DESCRIPTION	QTY
1	52222	BODY, SIGHT, NON-MICRO-ADJ, PYTHON	1
2	52150	GUARD, SIGHT, PYTHON	1
3	70293	LEVEL, 8mm x 23mm, YELLOW	1
4	52221	SLIDE, WINDAGE, NON-MICRO-ADJ, PYTHON	1
5	52220	EXTENSION, NON-MICRO-ADJ, PYTHON	1
6	70102	FHCS 10-24 X 5/8	2
7	50519	DECAL, COBRA, DOMED	1
8	70493	SHCS 4-40 X 5/16 SS	9
9	70363	2-56 X 1/8 OVAL PH HD SCREW	2
10	52193	GUIDE, COVER, FIBER, PYTHON	1
11	52203	CLAMP, DOVETAIL, WINDAGE	1
12	52192	COVER, FIBER, BOTTOM, PYTHON	1
13	70045	LW #8	2
14	70492	BHCS 4-40 X .125 SS	1
15	70497	SCREW #4 X 1/2, PLASTITE, SS	2
16	70494	SHCS 4-40 X 1/4 SS	2
17	70498	LW #4 HI COLLAR SS	9
18	70279	FW .187 x .125 x .031 Brass (Blk)	3
19	52175-ST	PIN, LOCKDOWN, RATCHETING, ASSY	2
20	C-657G	PIN, FRONT, GREEN, PYTHON, ASSY	1
21	C-657R	PIN, FRONT, RED, PYTHON, ASSY	1
22	C-658Y	PIN, BACK, YELLOW, PYTHON, ASSY	1
23	52225	HOLDER, LEVEL, FIXED, PYTHON	1
24	52199	DECAL, RING, SCOPE, ORANGE	1



CONFIGURATIONS:
 C-663BLK - BLACK
 C-663APG - APG CAMO
 C-663LOST - LOST CAMO

UNLESS OTHERWISE SPECIFIED:
 DIMENSIONS ARE IN INCHES
 TOLERANCES:
 FRACTIONAL ± 1/16
 ANGULAR: ± 1°
 ONE PLACE DECIMAL ± .05
 TWO PLACE DECIMAL ± .03
 THREE PLACE DECIMAL ± .010
 FOUR PLACE DECIMAL ± .001
 INTERPRET GEOMETRIC TOLERANCING PER: MATERIAL
 FINISH
 DO NOT SCALE DRAWING

	NAME	DATE
DRAWN	MF	9-16
CHECKED		
ENG APPR.		
MFG APPR.		
Q.A.		

PROPRIETARY AND CONFIDENTIAL
 THE INFORMATION CONTAINED IN THIS DRAWING IS THE SOLE PROPERTY OF COBRA MANUFACTURING. ANY REPRODUCTION IN PART OR AS A WHOLE WITHOUT THE WRITTEN PERMISSION OF COBRA MANUFACTURING IS PROHIBITED.

NOTE: DEBURR & BREAK ALL SHARP EDGES.
 COBRA MANUFACTURING CO., INC
 BIXBY, OKLAHOMA

TITLE:
SIGHT, PYTHON, TOOL-LESS, 3 PIN

SIZE A	DWG. NO. C-663	REV D
------------------	--------------------------	-----------------

SCALE: 1:8 WEIGHT: 0.46 SHEET 1 OF 1